

Installation Instructions

Control element
Multi Control MC04



English

Contents

1	About this document	3	8	Annex	10
1.1	Purpose of the document	3	8.1	Drilling template, control element	10
1.2	Using this document	3			
1.3	Use of symbols and highlighting	3			
1.4	Warranty and liability	3			
2	Safety	4			
2.1	Intended use	4			
2.2	Qualifications of installation personnel	4			
2.3	Regulations and legal requirements	4			
2.4	Safety information	4			
3	Unit description	5			
3.1	Scope of Delivery	5			
3.2	Type label	5			
3.3	Function description	5			
3.4	Use	5			
4	Installing the control element	6			
4.1	Notes on installation	6			
4.2	Installation location requirements	6			
4.3	Installing control element	6			
5	Initial operation	7			
5.1	Information on initial operation	7			
5.2	Starting up	7			
6	Troubleshooting	8			
6.1	Fault code output	8			
7	Technical data	9			

1 About this document

1.1 Purpose of the document

These installation instructions are an integral part of the product and contain all the information required to ensure correct and safe installation.

1.2 Using this document

- ▶ Before installing the unit, read the installation instructions and the supplementary information "Important Information on Operating and Installation instructions".
- ▶ Read the operating instructions before operating the unit.

1.3 Use of symbols and highlighting



WARNING

Type and source of danger

Result: non-observance can lead to severe or mortal injuries.

- ▶ Actions to protect yourself against risks.



CAUTION

Type and source of danger

Result: non-observance leads to minor injuries.

- ▶ Actions to protect yourself against risks.



ATTENTION

Type and source of the property damage

Result: non-observance leads to property damage.

- ▶ Actions in order to avoid property damage.



Further information can be found in following documents:



Note on a special technical feature

1.4 Warranty and liability

Webasto shall not assume liability for defects or damage that are the result that the installation and operating instructions as well as the instructions contained therein being disregarded.

This liability exclusion particularly applies for:

- installation by untrained personnel
- improper use
- repairs not carried out by a Webasto service workshop
- use of non-genuine parts
- conversion of the unit without permission from Webasto

Highlight

Explanation

- ✓ Requirements for the following necessary action
- ▶ Necessary action

2 Safety

2.1 Intended use

The control element is used to control the heater.

2.2 Qualifications of installation personnel

The installation personnel must have the following qualifications:

- Successful completion of Webasto training
- Corresponding qualification for working on technical systems

2.3 Regulations and legal requirements

- ▶ Regulations on the supplementary sheet "Important Information on Operating and Installation Instructions" must be observed.

2.4 Safety information

Safety information on installation

Danger posed by live parts

- ▶ Prior to installation, disconnect the vehicle from the supply line.
- ▶ Make sure the electrical system is earthed correctly.
- ▶ Always comply with legal requirements.
- ▶ Observe data on type label.

Danger of lacerations on sharp edges

- ▶ Fit protectors on sharp edges.

Safety information on operation

Risk of explosion in environments with combustible vapours, flammable dust and hazardous goods (e.g. petrol stations, tank facilities, fuel store, coal bunkers, timber yard or grain warehouses)

- ▶ Do not switch on or operate the heater.

Risk of intoxication and suffocation from exhaust fumes in closed rooms without exhaust gas extraction

- ▶ Do not switch on or operate the heater.

Avoiding damage to property

Cables damaged on sharp edges can cause short-circuits

- ▶ Fit protectors on sharp edges.

3 Unit description

3.1 Scope of Delivery

- Control element
- 4 mounting screws

3.2 Type label

The type label is affixed to the rear of the control element.

3.3 Function description

Overview

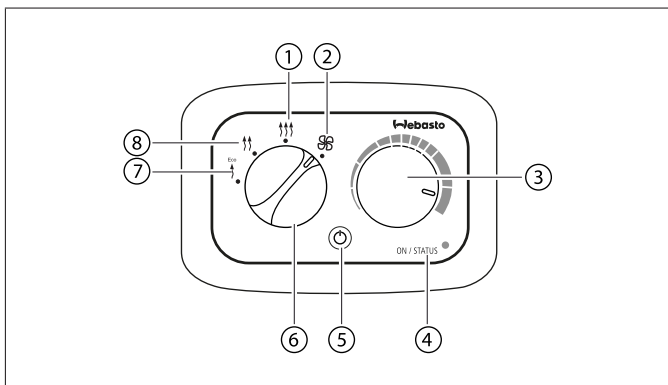


Fig. 01: Control element Multi Control MC04

- 1 Symbol - Quick heating
- 2 Symbol - Ventilation
- 3 Rotary knob (temperature/fan)
- 4 Operation indicator/fault code indicator/service indicator
- 5 On/Off button
- 6 Function selector switch
- 7 Symbol - Eco
- 8 Symbol - Standard heating

3.4 Use

You will find the heaters, for which the control element can be used, under:

<http://dealers.webasto.com>

4 Installing the control element

4.1 Notes on installation



CAUTION

Danger of electric shock by touching live parts

Minor burn injuries

- ▶ Prior to installation, disconnect the vehicle from the supply line.



CAUTION

Danger of fire due to incorrect installation

Burn injuries

- ▶ Installation in ADR vehicles: Comply with ADR guidelines.
- ▶ Observe data on type label.



CAUTION

Danger of fire due to drilling into electrical cables

Burn injuries

- ▶ Arrange electrical cables behind the installation area outside the drilling points.



CAUTION

Injuries by touching sharp edges

Grazing of the skin, cuts

- ▶ Fit protectors on sharp edges.

4.2 Installation location requirements

The installation location must satisfy the following requirements:

- Vehicle interior
- Ease of access
- Clear visibility
- Protected from moisture
- Protected from heat, not in direct hot air flow
- Observe device dimensions

4.3 Installing control element

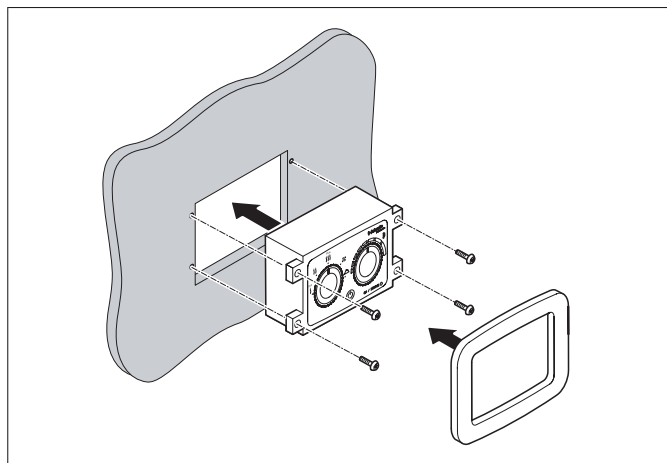


Fig. 02: Securing the control element

- ▶ Make sure that the installation location satisfies the requirements.
- ▶ To make cutout, drill holes with the aid of the drilling template.
- ▶ Route cable to installation location.
- ▶ Route heater wiring harness from rear through the cutout.

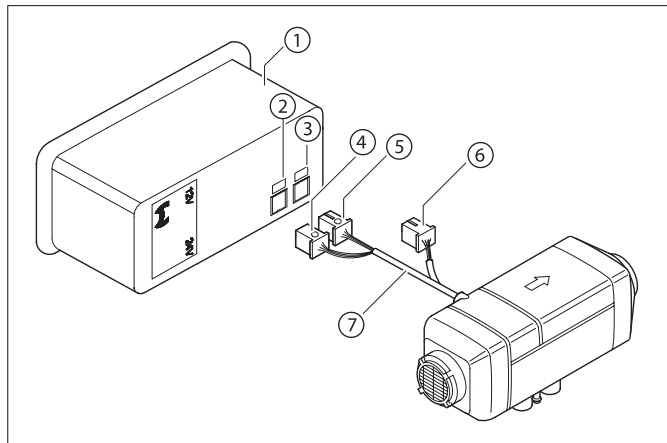


Fig. 03: Example of connecting control element to Air Top Evo 40/55 heater

- 1 Control element
- 2 Red: Socket
- 3 Blue: Socket
- 4 Red: Wire
- 5 Blue: Wire
- 6 Optional connection for:
Telestart / ThermoCall (only 12V) /
Webasto Thermo Test Diagnosis
- 7 Heater wiring harness

- ▶ Connect heater wiring harness to the control element. Match the colours of the socket and connector.
- ▶ Connect wiring harness to the control element as shown in the wiring diagram (see heater installation instructions).
- ▶ Insert the control element from the front into the cutout.
- ▶ Secure the control element with 4 screws.
- ▶ Fit trim cover.
- ▶ Align trim cover so that it snaps in tight.

5 Initial operation

5.1 Information on initial operation



WARNING

Breathing exhaust fumes in closed rooms

Poisoning and suffocation

- ▶ Never operate the heater (also not with programmed heating start) in closed rooms such as garages or workshops that do not have an exhaust extraction unit.
- ▶ In workshops with exhaust extraction facilities, make sure that the exhaust extractor is fully operational.

- ▶ Carefully read through the heater operating instructions and the safety information within.

5.2 Starting up

- ✓ Heater is fully installed.
- ✓ Control element is fully installed.

- ▶ Connect vehicle to voltage supply.
- ▶ Switch on control element (see operating instructions)

Operating indicator comes on.

Backlighting comes on.

6 Troubleshooting

6.1 Fault code output

The heater will output a fault code on the control element if a fault occurs during heating mode.

On the Multi Control MC04 control element, the fault code is output by flashing pulses of the operation indicator. The number of pulses corresponds to the number of fault codes.



You will find further information in the operating instructions.

7 Technical data

Control element	Multi Control MC04
Rated voltage (V)	12 to 24
Maximum current consumption (mA) [operation / when OFF]	3 / 1.3
Permissible ambient temperature [°C] (operation/storage)	-40 to +75 / -40 °C to +85
Control element dimensions (mm) [length/depth/height]	122.2 / 32.5 / 80.4
Dimensions of control element with frame (mm) [length/depth/height]	122.2 / 42.0 / 80.4
Weight (g)	113

8 Annex

8.1 Drilling template, control element

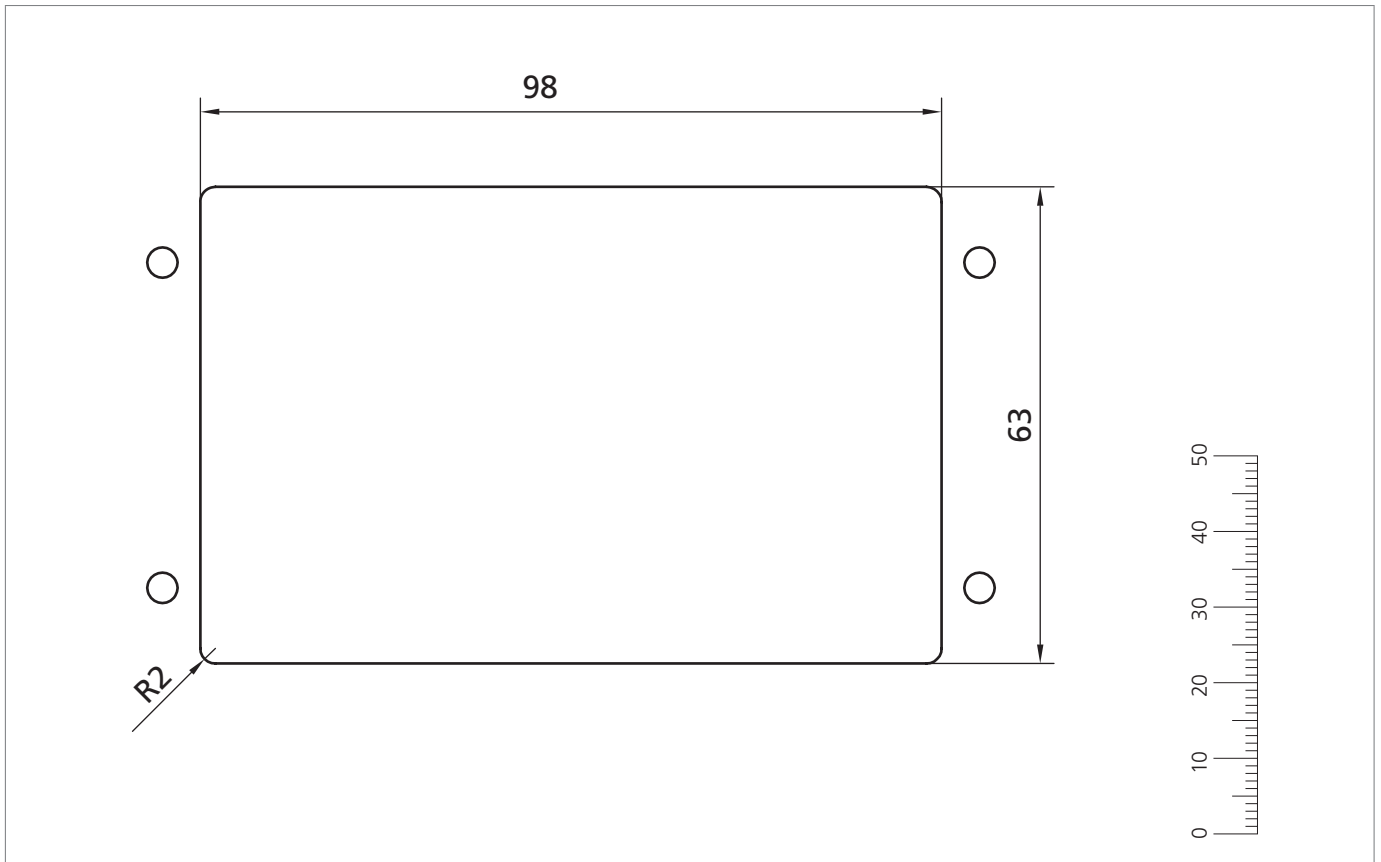


Fig. 04: Drilling template, control element Multi Control MC04

In multilingual versions the German language is binding.

The telephone number of each country can be found in the Webasto service center leaflet or the website of the respective Webasto representative of your country.

Webasto Thermo & Comfort SE
Postfach 1410
82199 Gilching
Germany

Visiting Address:
Friedrichshafener Str. 9
82205 Gilching
Germany

Technical Extranet: <http://dealers.webasto.com>



www.webasto.com